

# INSTALLATION INSTRUCTIONS

## EZ Anchor Adjustable Support Tube System

### (EZ ASTS) *Florida Instructions and Wind Zone III*

PATENT PENDING

With the use of Minute Man 6650EZVDH Anchors and the EZ ASTS III at selected locations, the Manufactured Home may be anchored in Class 4b soils using Minute Man anchors 650DH and Florida Stabilizer at all other anchor locations. When installed as directed, the use of five (5') anchors and soil test probe requirements are eliminated, except when working load requirements exceed 3,150 lbs.

SET THE HOME IN ACCORDANCE WITH MANUFACTURERS' RECOMMENDATION OR STATE CODE. Use Minute Man Longitudinal Bracing System as shown on page (8) for longitudinal restraint. Anchors and Longitudinal frame ties may be used.

Select anchor spacing in accordance with the manufacturers' recommendation. The state of Florida requires that sidewall anchors and frame ties be placed on maximum 5'-4" centers. When used with the EZASTS III system, 48" anchors, Florida stabilizers and frame ties may be used in all Florida soils. The 6650 EZVDH anchor must be used at each select location of the EZ Adjustable Support Tube System (EZASTS). Refer to Figure (1) on page 8.

#### SELECT PLACEMENT OF EZ ASTS FROM THE FOLLOWING CHART BELOW.

EZ ASTS Lateral Restraining System Requirements: Roof Slopes less than 20° Single and Double-Wide Homes- Based on 47 PSF Horizontal Wind Load			
Home Length <sup>1</sup>	Up to 48'	64'	80'
Pairs <sup>3</sup> Required	3	4	5

<sup>1</sup> Sizes shown are nominal sizes. Actual lengths may vary with manufacturer.

<sup>3</sup> One (1) pair = One (1) windward and one (1) leeward EZ ASTS

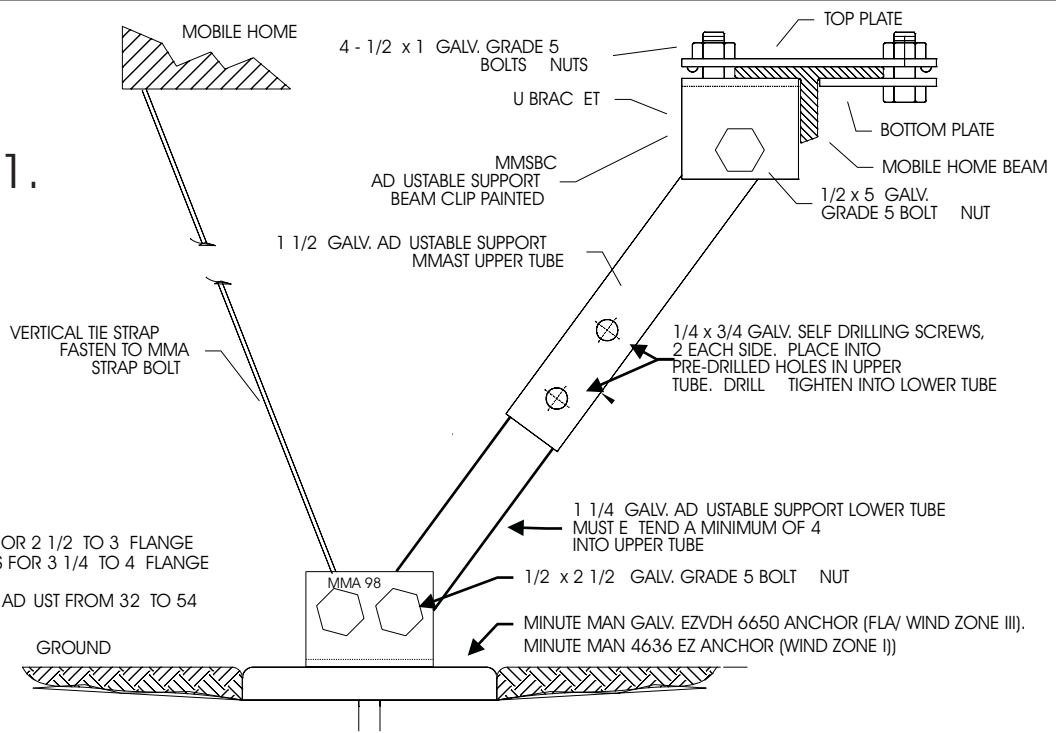
EZ ASTS Lateral Restraining System Requirements: Roof Slopes with a 5/12 Pitch. Pairs Required Based on 47 PSF Horizontal Wind Load			
Length	48'	64'	80'
24' Width	5	6	6
28' Width	7	7	8
32' Width	9	9	10

The EZ ASTS Lateral Restraining System can be used in conjunction with four-foot (4') ground anchors and stabilizer plates to resist lateral movement of manufactured homes. All components of the anchoring and tie-down system must be properly installed in accordance with Rule 15C-1. All five foot (5') anchors are replaced by four foot (4') Minute Man anchors with stabilizers. Where the EZ ASTS systems are used, stabilizers are part of anchors. Where the manufacturer designates sidewall or center line load requirements in excess of 3,150 pounds, additional anchors may be required or the use of (5') anchors.

#### Note:

The load ratings are not valid in any application where the use of the device would overload any structural member of the home or foundation, or would invalidate any portion of the manufacturer's warranty or set-up instructions, or where the use would violate any applicable building code or installation standard.

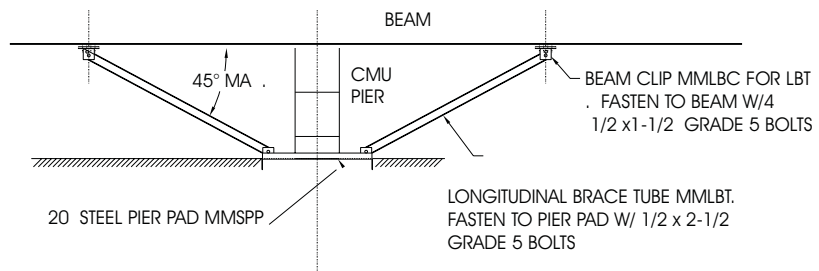
Figure 1.



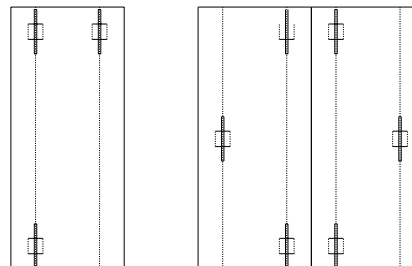
NOTE: Where the EZ ASTS systems are used as recommended, stabilizers are part of the anchors. Where the manufacturer designates sidewall load requirements in excess of 3,150 pounds, additional anchors may be required.

The load ratings established in this report are not valid in any application where the use of the device would overload any structural member of the home or foundation, or would invalidate any portion of the manufacturer's warranty of set-up instructions, or where the use would violate any applicable building code or installation standard.

### Longitudinal Stabilizing System

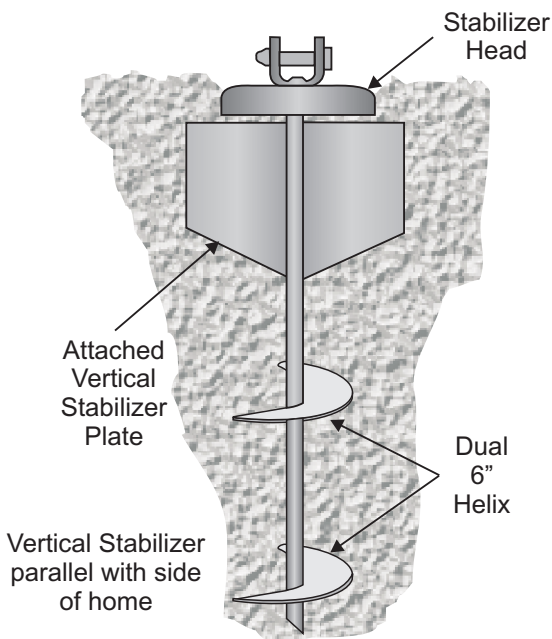


DETERMINE LOCATION OF MMSPP, CENTER UNDER BEAM.  
FASTEN MMLBT TO MMSPP WITH 1/2 GRADE 5 BOLTS.  
FASTEN MMLBT TO MMLBC AND BEAM WITH 1/2 GRADE 5 BOLTS.  
TIGHTEN ALL BOLTS AND NUTS SECURELY.



SINGLE SECTION HOME UP TO 18 FEET IN WIDTH

DOUBLE SECTION HOME UP TO 36 FEET IN WIDTH



### EZVDH 6650

Note: Before insertion, make sure vertical stabilizer is parallel with direction of pull.

# INSTALLATION INSTRUCTIONS

## EZ Anchor Adjustable Support Tube System (EZ ASTS) *or Wind Zone I*

PATENT PENDING

With the use of Minute Man 4636 EZDH or NU Concept Anchors and the EZ ASTS at selected locations, the Manufactured Home may be installed in Wind Zone I, Soil Class III without the need for additional lateral anchors. See chart below. Soil probe test is recommended in establishing proper soil class.

SET THE HOME IN ACCORDANCE WITH MANUFACTURERS' RECOMMENDATION OR STATE CODE.

SELECT PLACEMENT OF EZ ASTS FROM THE FOLLOWING CHART BELOW.

EZ ASTS Lateral Restraining System Requirements: Roof Slopes less than 20° Single and Double-Wide Homes- Based on 17 PSF Horizontal Wind Load			
Home Length <sup>1</sup>	Up to 48'	64'	80'
Pairs <sup>3</sup> Required	3	4	5

<sup>1</sup> Sizes shown are nominal sizes. Actual lengths may vary with manufacturer.

<sup>3</sup> One (1) pair = One (1) windward and one (1) leeward EZ ASTS

EZ ASTS Lateral Restraining System Requirements: Roof Slopes with a 5/12 Pitch. Pairs Required Based on 17 PSF Horizontal Wind Load			
Length	48'	64'	80'
24' Width	5	6	6
28' Width	7	7	8
32' Width	9	9	10

Install the Minute Man 4636 EZDH 3/4 anchors at EZASTS locations in accordance with Minute Man instructions. See Figure A on page 5. Attach MMSBC Adjustable Support Beam clip and MMAST Adjustable Support Tube in accordance with assembly instructions (Fig. 1) on page 8.

DO NOT SECURE ADJUSTABLE TUBE WITH SELF TAPPING SCREWS AT THIS TIME.

FOLLOWING INSTALLATION OF ALL ANCHORS AND ATTACHMENT OF BEAM CLIPS AND TUBES, GO BACK TO EZ ASTS LOCATIONS AND SECURE ADJUSTABLE TUBE(S) WITH SELF TAPPING SCREWS.