



## ANCHOR INSTALLATION

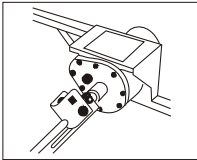

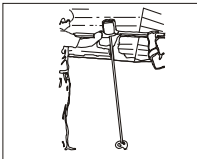
**CAUTION:** The installation of anchors with a drive machine is a two person operation.

There are two basic methods of installing anchors, each equally effective in properly securing manufactured homes to the ground.

**Warning:** Before ground anchor installation, determine that the anchor locations around home will not be close to any underground electrical cables, water lines or sewer piping. Failure to determine the location of electrical cables may result in serious personal injury.

### MACHINE INSTALLATION

In this method, the anchor is turned to full depth into the ground by an anchor drive machine.

1.  Attach anchor to machine.
2.  Placed anchor in proper position in line with strap and machine.
3.  Anchor should be installed at a slight angle as shown to assure head being positioned behind future skirting.

### MANUAL INSTALLATION

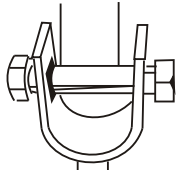
A hole is dug to a depth of approximately two feet in the proper position as explained under machine installation.

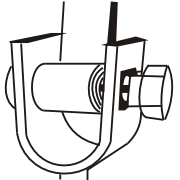


After the hole is dug to 24" depth, the anchor is turned into the ground by hand, using a rod or length of pipe for leverage.

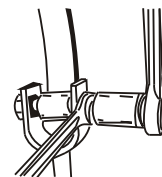
After anchor is installed full depth, earth is repacked, six inches at a time.

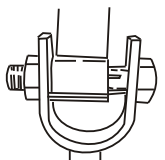
### PROPER TENSIONING OF STRAP TO ANCHOR HEAD

1.  Insert bolt into head; attach nut loosely. Insert strap in slot of 5/8" bolt, or until strap is flush with far side of bolt.

2.  Bend strap 90° and take at least three complete turns on bolt until strap is taut.

3. Bolt is turned with 15/16" socket wrench, or adjustable wrench, on hex head. With square hole in anchor head, hold bolt under tension while repositioning wrench: Place open-end wrench on 5/8" square shoulders of bolt. Align square shoulders of bolt with square hole in anchor head.



4.  Holding hex head of bolt in position, tighten nut to draw square shoulders into square hole. Shoulders are now in locking position; continue to tighten nut. Tensioning device is now in locked, secure position.

**Note:** The tensioning bolt can be inserted in the head from either side.

**Notice:** In areas of severe cold weather, where possible damage could occur from frost heave, the homeowner should be prepared to adjust tension on the straps to take up slack.