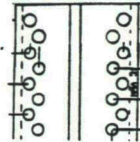
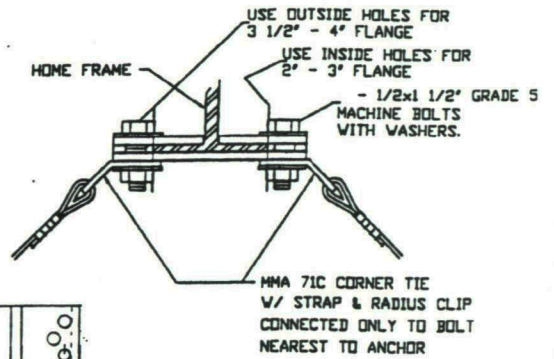
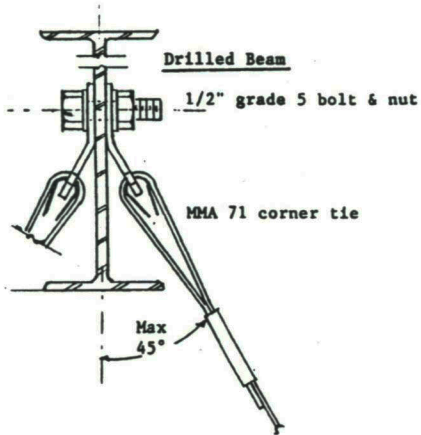
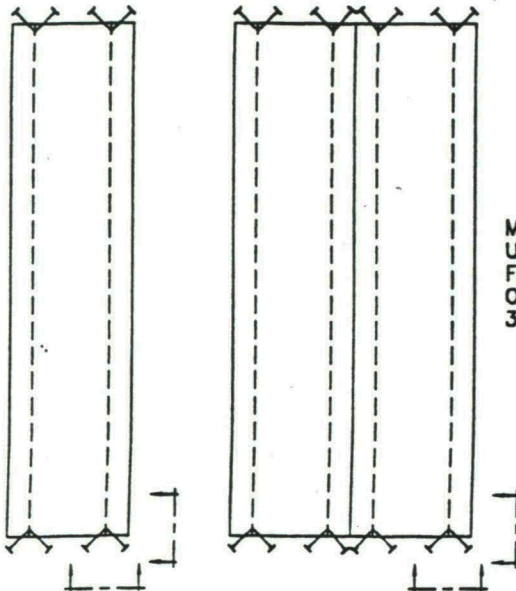
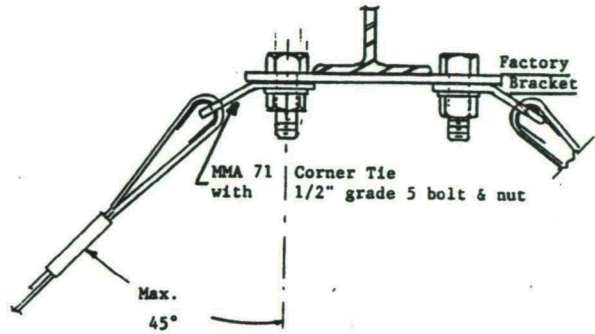
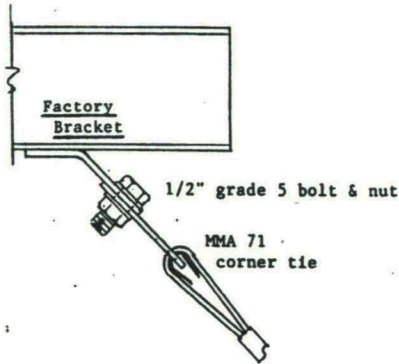


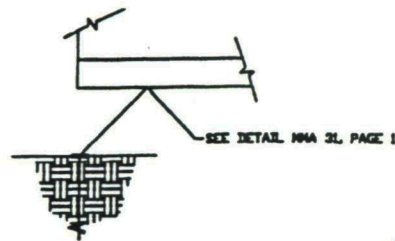
LONGITUDINAL FRAME TIE AND CLAMP (Florida Approved)



MMA 31 ASSEMBLY UNIT

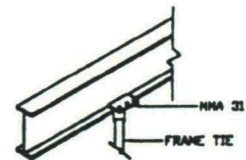


LONGITUDINAL ANCHORING COMBINATIONS



SIDE VIEW

MMA31 HAS 2 ROWS OF HOLES
USE INSIDE ROW FOR 2" - 3"
FLANGE,
OUTSIDE HOLES FOR
3 1/2" - 4" FLANGE



FRAME CLAMP WITH PIVOTING TIE BRACKET



END VIEW

